

Rental LED Display

MAX500 Series

Optional indoor and outdoor LED modules with magnetic installation, front and rear maintenance, and aluminum cabinets. Ultra-high flatness with whole screen flatness error less than or equal to 0.01mm. The cabinets of different batches are of the same size, solid and durable, not easy to deform, with good protection. Protection levels are IP50/IP65, weather and salt spray corrosion resistant.



MAX500-P2.604/2.976/3.91/4.81

MAX500-P2.604/2.976/3.91/4.81

Light: 500*500mm, 7.5~7.85kg per cabinet, easy for one person to carry, saving time and effort in installation.

Thin: Die-casting aluminum, high-strength, high-tenacity, high-precision, not easy to deform.

Flat: Flatness error less than or equal to 0.1mm, effectively eliminating mosaic phenomena.

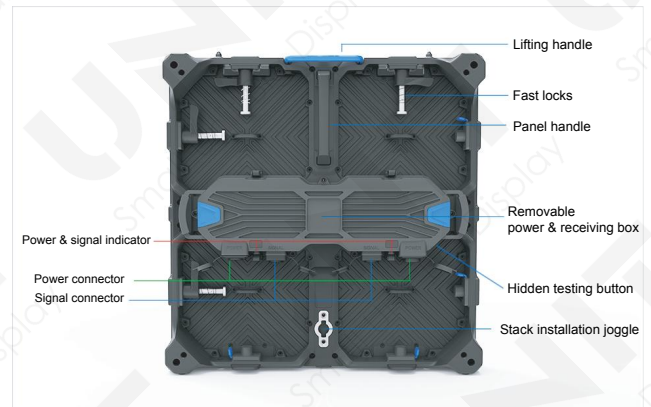
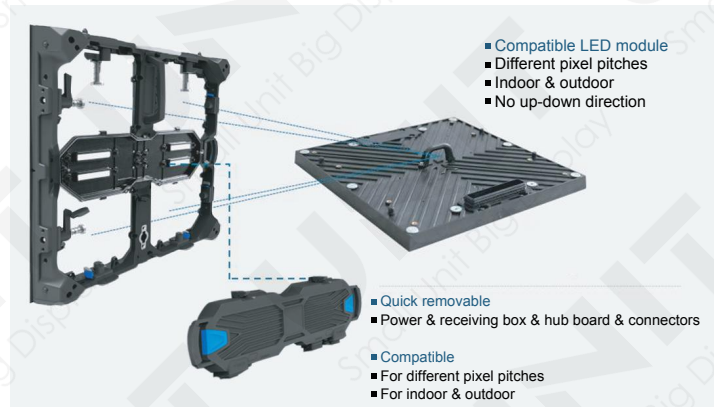
Fast: Fast lock, locking adjacent cabinets in two seconds, and air plug wiring connects more quickly.

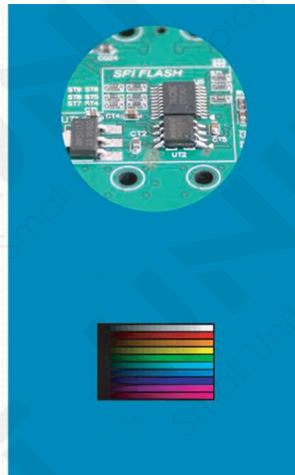
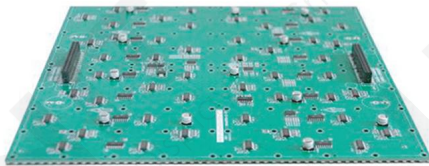
Easy: Magnetic modular design allows easy front/back service and installation at any position.

Compatibility design: Allows for indoor and outdoor lifting and accommodates various dot pitches.

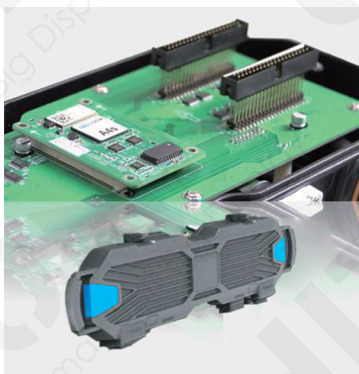
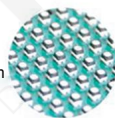
High: High-gray, high-refresh, with gray at 14-bit and a refresh rate of 1920/3840Hz.

Low: Heat dissipation design eliminates the need for fans and air conditioners, resulting in low noise, less weight, and low power dissipation.





- Optimized PCB board design
- 4 layers PCB
- Calibration-memo in PCB board
- Perfect matched with Novastar control system
- Perfect heat sinking
- CE/EMC certified optional



The control box

- Power supply with certificated
- Novastar receiving card
- Universe hub board for different pixel pitches
- No cable connection for power supply & hub board
- Good quality connector pins
- Optimized heat sinking design
- Big size indicator, visible under sunshine
- Direct signal connection to hub (receiving card) optional
- Quick removable without any tools optional
- Customized color sign
- Neutrik connectors optional
- Hidden testing button avoid false touch



High Quality With Global Standards.
CE EMC, RoHs, FCC Certificated.

Specification

Pixel Pitch	P2.604mm (Only for Indoor)	P2.976mm	P3.91mm	P4.81mm (Only for Outdoor)
Pixels per cabinet	192×192 (HxV)	168×168 (HxV)	128×128 (HxV)	104×104 (HxV)
LED lifetime	100,000h (video - 50% brightness)			
Brightness (for indoor)	800 nits	800 nits	700 nits	700 nits
Brightness (for outdoor)	4500 nits			
Module size	250×250mm			
Module resolution	96×96dots	84×84dots	64×64dots	52×52dots
Refresh rate	1,920-3840Hz			
Hor. viewing angle	140° +/-5° (@50% brightness)			
Vert. viewing angle	140° +/-5° (@50% brightness)			
Brightness uniformity	>98%			
Dimming	0-100%			
Grey Level	14 bits			
Avg Power consumption	350W/m ²	320W/m ²	300W/m ²	280 W/m ²
Max Power consumption	Indoor: 450 W/m ² , Outdoor: 640 W/m ²			
Operation power voltage	100-240V / 50-60Hz			
Operational temperature	-10°C to +40°C/14°F to 104°F			
Operational humidity	10-80%			
IP rating	IP50 for Indoor, IP65 for Outdoor			
Dimensions	500 x 500 x 80 mm/19.6 x 19.6 x3.14 inch(WxHxD)			
Weight	7.5kg/16.53lbs			
Serviceability	Front and back service			
Certifications	CE, UL, FCC class A, RoHS, WEE, REACH			